

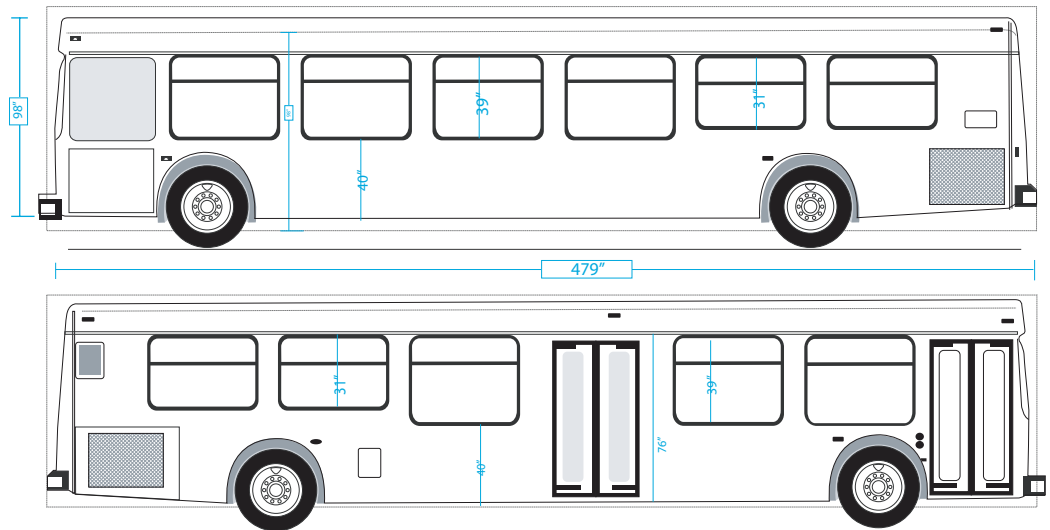
Phoenix New Flyer Bus Wrap

Final Size

	H	W
Bleed	102"	483"
Live	98"	479"
Safety	94"	475"

Mechanical

	H	W
Bleed	8.50"	40.25"
Live	8.16"	39.92"
Safety	7.83"	39.58"



Scale: 12 : 1 • Resolution: 300 dpi digital • STOCK: Flexcon busmark

Art Submission Requirements

Disk Format:

Mac or PC, CD, DVD, floppy disk or Zip.

Electronic File Submission:

For direct submission of your files from our website click on Upload Artwork.

Software:

MAC ~ Quark Xpress v6.x, Adobe CS2 versions of Photoshop, Illustrator, InDesign, Acrobat v7.0, + Freehand 9.

PC ~ Corel Draw v12, Adobe CS2 versions of Photoshop, Illustrator, InDesign.

Photographic Images:

All hi-res images should be accompanied by a client approved proof for color. Images for screen print should have a maximum density of 270% All photographs should be saved in CMYK mode not RGB. If you build the artwork with layered Photoshop files, please include files on the disk.

Page layout:

Please build your file to the mechanical size above. For your convenience you may download Quark templates from our website. Be sure to include all placed graphics and images as well as all printer and screen fonts. If you build the layout in Illustrator, Freehand or Corel Draw, please include any imbedded photographs separately. You do not need to trap your file, we will take care of that. For more detailed information on preparing electronic artwork for reproduction, please visit our website.

bpgraphicspec sheet

bpgraphics ~ 3940 w. montecito phoenix, az. 85019

Ph 800.587.1464 Fax 602.272.2987

www.bp-graphics.com

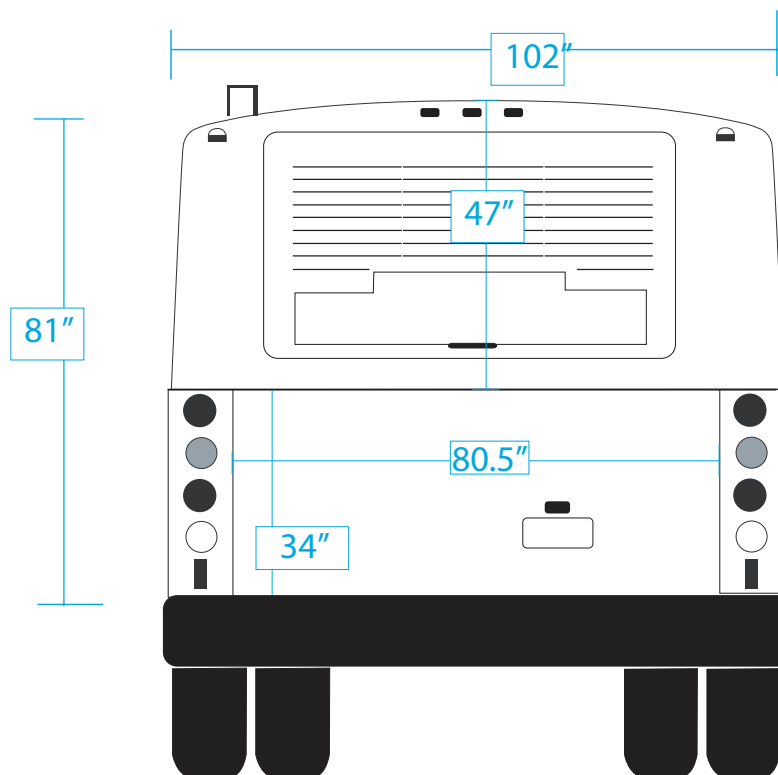
Phoenix New Flyer (back) Bus Wrap

Final Size

	H	W
Bleed	85"	106"
Live	81"	102"
Safety	74"	98"

Mechanical

	H	W
Bleed	7.08"	8.83"
Live	6.75"	8.50"
Safety	6.16"	8.16"



Scale: 12 : 1 • Resolution: 300 dpi digital • STOCK: Flexcon busmark

Art Submission Requirements

Disk Format:

Mac or PC, CD, DVD, floppy disk or Zip.

Electronic File Submission:

For direct submission of your files from our website click on Upload Artwork.

Software:

MAC ~ Quark Xpress v6.x, Adobe CS2 versions of Photoshop, Illustrator, InDesign, Acrobat v7.0, + Freehand 9.

PC ~ Corel Draw v12, Adobe CS2 versions of Photoshop, Illustrator, InDesign.

Photographic Images:

All hi-res images should be accompanied by a client approved proof for color. Images for screen print should have a maximum density of 270% All photographs should be saved in CMYK mode not RGB. If you build the artwork with layered Photoshop files, please include files on the disk.

Page layout:

Please build your file to the mechanical size above. For your convenience you may download Quark templates from our website. Be sure to include all placed graphics and images as well as all printer and screen fonts. If you build the layout in Illustrator, Freehand or Corel Draw, please include any imbedded photographs separately. You do not need to trap your file, we will take care of that. For more detailed information on preparing electronic artwork for reproduction, please visit our website.

bpgraphicspec sheet

bpgraphics ~ 3940 w. montecito phoenix, az. 85019

Ph 800.587.1464 Fax 602.272.2987

www.bp-graphics.com